

The Hygienic Solution

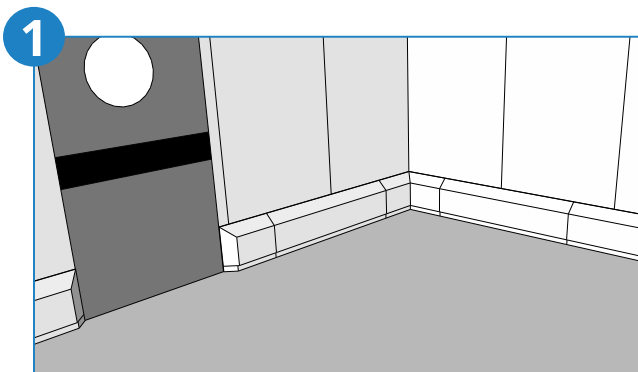
adhesives and sealants 

Installation instructions

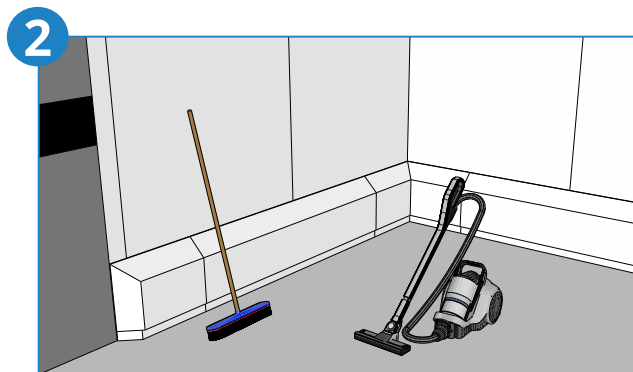


Always wear protective gloves and safety glasses.

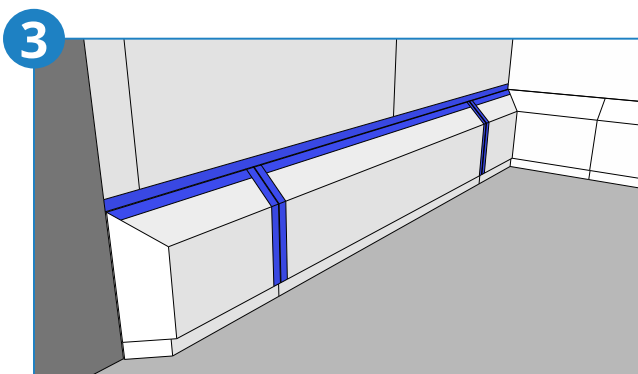
HYGISEAL 3.0



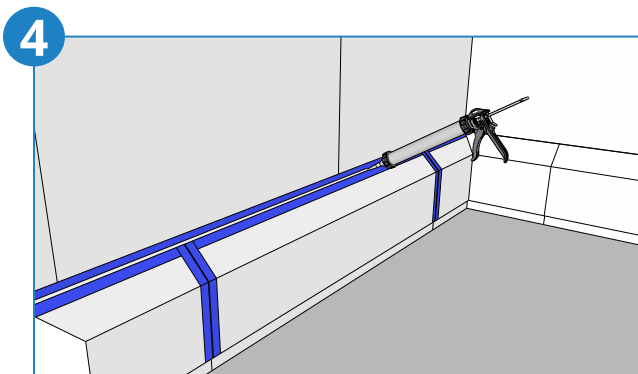
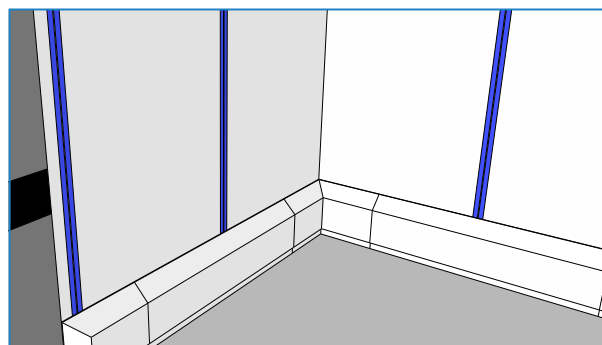
1 Install the PolySto kerbs and/or B-Hygienic FRP sheets according to the corresponding installation guides. A joint of +/- 4 mm needs to be created between each kerb and/or FRP panel.



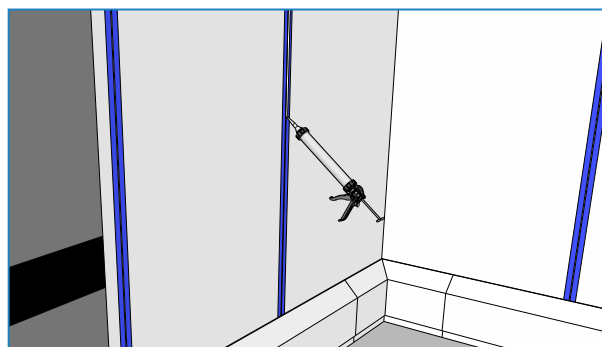
2 After installation all dust and superficial spots must be removed. Clean the surface and open joint with HygiClean.



3 Fix the blue or yellow Hygiseal tape on each side of the joint approximately 2 mm from the edge to create an overlap when applying the Hygiseal 3.0. This overlap will result in a much stronger joint.



4 Disperse the Hygiseal 3.0 using a manual or pneumatic 600cc caulking gun under a 45° angle. The consumption of Hygiseal 3.0 is +/- 50cc per linear meter. The usage of a pneumatic application tool will provide better results as the same pressure and speed can be maintained. Recommended ambient temperature is between 15°C to 25°C.



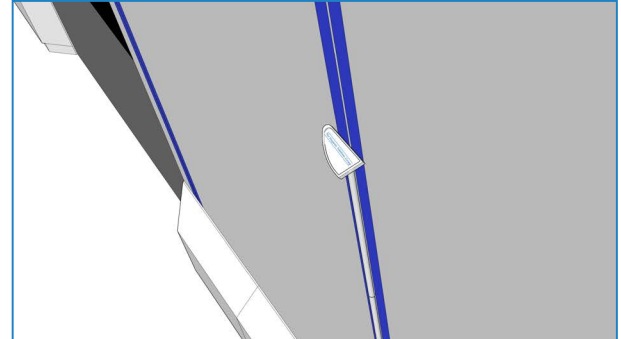
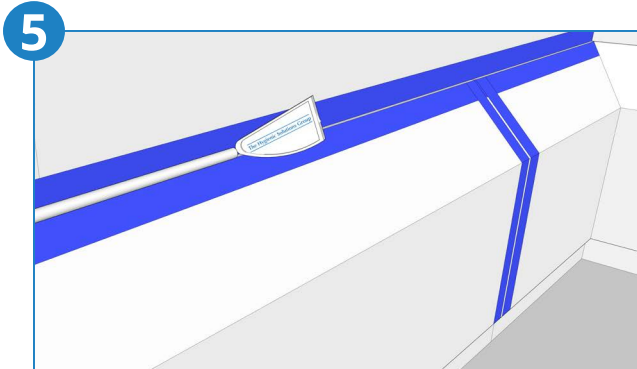
The Hygienic Solutions Group

Maesbossen 3
9160 Lokeren
Belgium

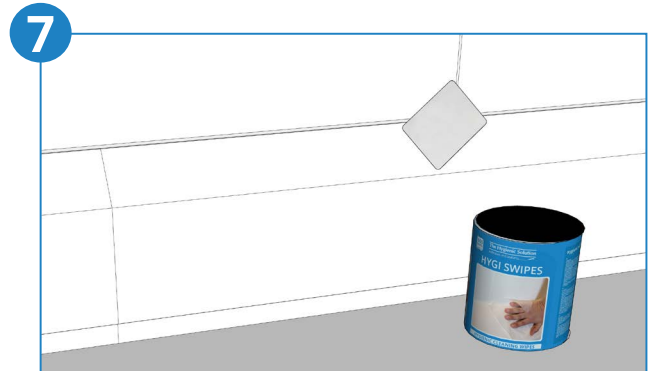
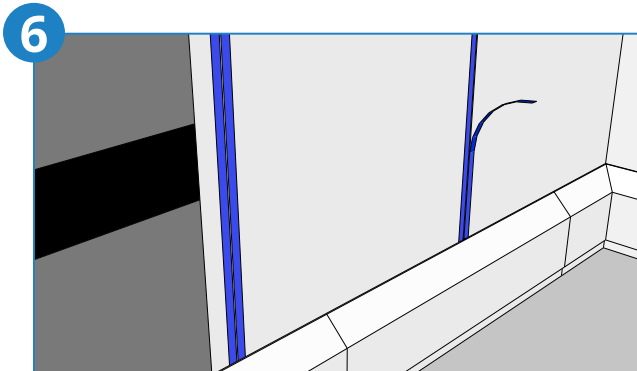
T. +32 9 33 77 660
E. info@thehygienicsolutionsgroup.com
www.thehygienicsolutionsgroup.com



10 minutes



After a maximum of 10 minutes the joint can be tooled. Use the supplied smoothmaker to smoothen out the Hygiseal 3.0 joint and remove excess product. The smoothmaker must be applied under a 45° angle to push the Hygiseal 3.0 into the open joint. Always apply a soapy solution for a good finish and **never touch with bare fingers**. At a temperature of 23°C the skin formation will follow after ca. 15 min. During this time it is important to keep the fresh joint completely dust-free.



Immediately after smoothening the Hygiseal 3.0 joint, the tape can be removed. Waiting too long can result in the Hygiseal joint being peeled off. Always pull the tape away from the joint. The Hygiseal 3.0 joint will be fully cured after +- 72 hours.

Use Hygi Swipes to remove excess joint compound from the surface, hands or tooling equipment.

All safety measures regarding Hygiseal 3.0 installation can be found in the Safety Data Sheet.